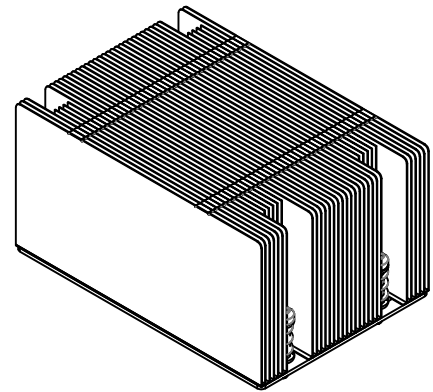
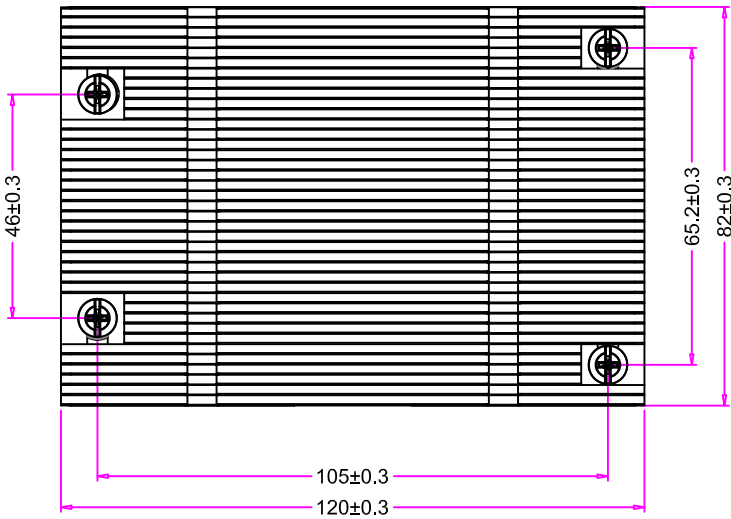


1 2 3 4 5 6 7

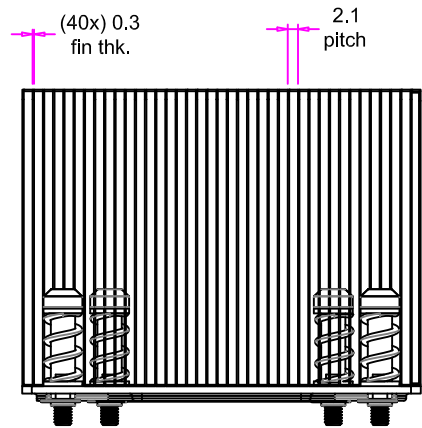
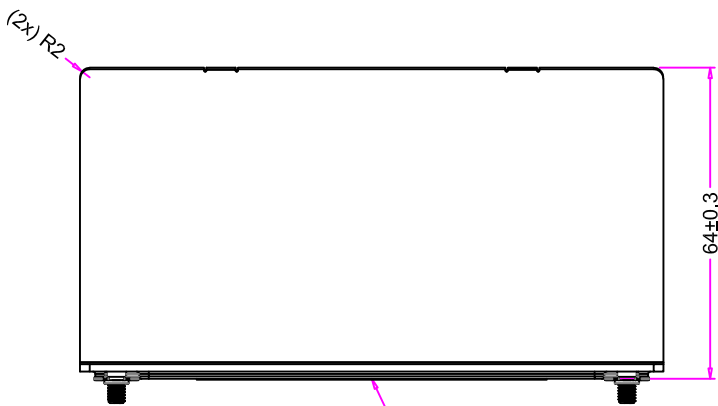
REV#	DESCRIPTION	CHECKER	DATE
0.0	INITIAL RELEASE	LANG	07/12/18

A



B

C

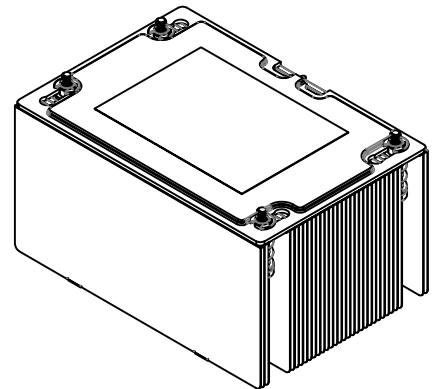
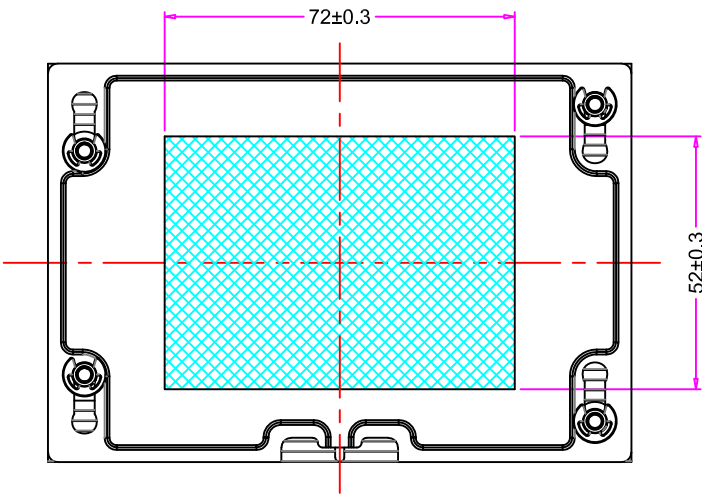


D

E

0.10
Ra < 1.2
GRIND

F



6	THERMAL GREASE, PRE-PRINTED	SHIN-ETSU 7762	1
5	C-CLIP	STEEL	4
4	HEATSINK, STACKED FINS	COPPER1100 VC BASE COPPER FIN	1
3	SPRING (0850)	SWP	4
2	WASHER	STEEL	8
1	SCREW, HEATSINK (4380)	STEEL	4
ITEM#	DESCRIPTION	MATERIAL	QTY.

G

	NAME	DATE
DRAWN BY	engr	07/12 / 2018
CHECKED BY	LANG	07/12 / 2018
ENG. APPROVED		
MFG. APPROVED	-	-



DYNATRON CORPORATION

TOP MOTOR

TITLE: 2U Passive Vapor Chamber Cooler **T518**
(sample IL-256)
BOM & Overall Dimension Drawing

CONFIDENTIAL DOCUMENT

THIS DRAWING CONTAINS INFORMATION PROPRIETARY TO DYNATRON CORPORATION AND DYNAEON INDUSTRIAL CO., LTD. ANY REPRODUCTION, DISCLOSURE, OR USE OF THIS DRAWING IS EXPRESSLY PROHIBITED EXCEPT AS DYNATRON CORPORATION AND DYNAEON INDUSTRIAL CO., LTD. MAY OTHERWISE AGREE TO IN WRITING.

VIEW	
UNITS	MM

DWG. No:

DYN-BD-T518

REV.
0.0

H

H

1 2 3 4 5 6 7